

Fixture Type:

528 pictured

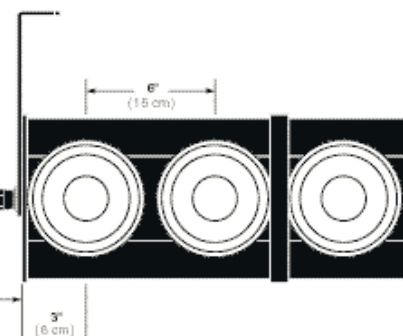
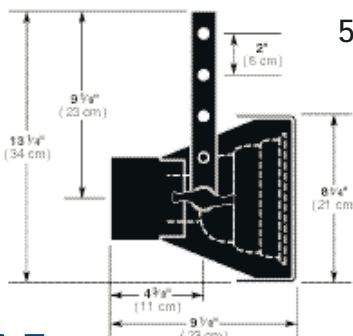
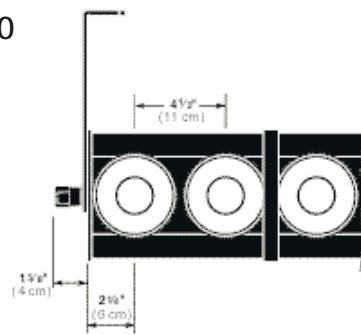
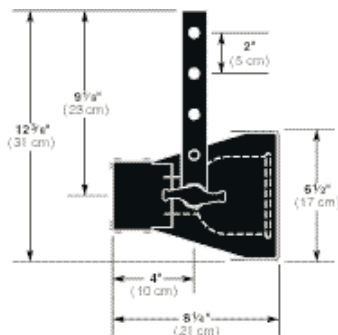


The 520 and 528 borderlights are multi-lamp, compartmented striplighting luminaires designed for use as a general wash of light. They are available wired for either three or four circuit operation for color separation or blending. The 520 borderlight is manufactured in standard portable lengths of 6 feet, four circuit; 6 feet 9 inch, 3 circuit; 7 feet, 6 inch, four circuit; and 8 feet, three circuit. It is also available in custom lengths and custom circuitry with sockets on 4.5 inch centers. The 528 borderlight is manufactured in standard portable lengths of 6 feet, three or four circuit; 7.5 feet, three circuit and 8 feet, four circuit. It is also available in custom lengths and custom circuitry with sockets on six inch centers. The 520 and 528 can be used as toning or fill lights or for cyclorama lighting from both top and bottom.

Specifications subject to change without notice

## 2400 WATTS Per Circuit 520/528 BORDERLIGHT Features

- 20 gauge steel housing
- Compartmented for color separation
- Integrated Alzak processed aluminum reflector, one per socket
- Three 36 inch lead wires per circuit on portable units
- 3 and 4 circuit portable units have feed through wiring
- Glass roundel color filter included
- Hanging hardware included
- 520 and 528 U.L. and c.U.L. listed for 100 watt lamps and 300 watt lamps respectively
- Made in the USA



**Specifications**

**Housing:** 20 gauge sheet steel construction.

**Materials:** Construction employs all corrosion-resistant materials and hardware.

**Reflectors:** Etched spun aluminum, matte Alzak finish. 4 1/2" center-to-center spacing for 520, 6" center-to-center spacing for 528.

**Socket:** Medium screw base.

**Rating:** 120 volts AC operation, 20 amps per circuit, 2400 watts maximum per circuit, 100 watts maximum lamps for 520, and 300 watt maximum lamps for 528.

**Cable:** (When provided) 36" Teflon and/or silicone-fiberglass leads encased in black fiberglass sleeving. 3 and 4 circuit portable units are feed through wired.

**Accessories:** 4" roundels provided with 520, 5 5/8" roundels provided with 528. One roundel supplied with each reflector.

**Junction Box:** (When provided) 16 gauge steel provided with knockouts and terminal strip. Connected to fixture via insulated threaded nipples provided with insulated bushings.

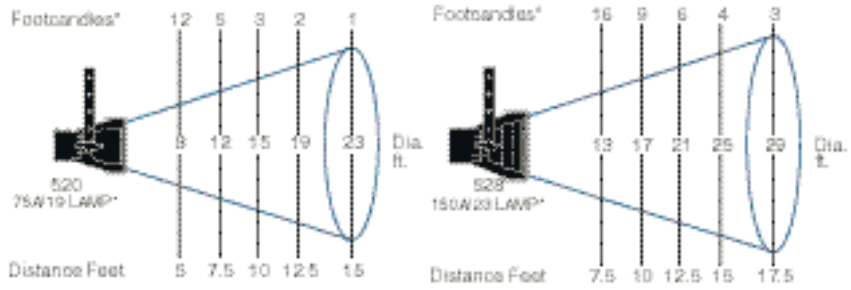
**Trunnions:** (When provided) Rigid 16 gauge steel, two mounting positions.

**Hanging Arms:** (When provided) 3/16" strap steel, five mounting positions.

**Hanging Chain:** (When provided) 40" 2/0 zinc plated bowtie chain. One length per 5' provided for units over 10' in length.

**Finish:** Baked black enamel.

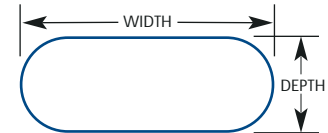
**Weight:** Approx; 6 1/2 lbs. (2.9 kg.) per foot for 520.  
Approx; 7 1/2 lbs. (3.4 kg.) per foot for 528.



\* All photometric data for single lamp only.  
Actual photometrics dependent on total number of lamps in fixture.  
Beam intensities compound due to overlapping of beam patterns.

Approximate pattern of light on stage floor when an 8 foot striplight is flown 15 feet above stage floor.

<b>Fixture</b>	<b>Depth</b>	<b>Width</b>
<b>520</b>	23'	31'
<b>528</b>	25'	33'



ACCESSORIES	
Supplied with 520 + 528	
FT SC-36-BK	Floor Trunnion, Pair Black Safety Cable

ACCESSORIES	
Available for 520 + 528	
RNDL-4-*	4" Roundels or
RNDL-5-*	5 5/8" Roundels or
RNDL-5-50-* 508	5 5/8" 50° Spread Roundels Hanging Arm with Pipe Clamp, pair

\*Substitute color: RED = red, BLU = blue, GRN = green, AMB = amber, CLR = clear.  
NOTE: one roundel per reflector.

**520/528 BORDERLIGHTS PERFORMANCE DATA (Single Lamp Measurements)**

Fixture Type	Lamp Type	Candlepower (Candela)	Beam Angle (Degrees°)	Field Angle (Degrees°)	Efficiency (%)	Lamp Centers
520	75A/19	294	50°	75°	65	4.5"
528	150A/23	903	52°	80°	86	6.0"

**LAMP DATA**

Fixture Type	Watts	Manufactures Lamp Code	Color Temp (°K)	Lumens	Rated Life (Hours)	Correction Factor
520	60	60A/19	2790	870	1000	.73
	75	75A/19	2840	1190	750	1.00
	100	100A/19	2905	1750	750	1.47
528	150	150A/23	2960	2780	750	1.00
	200	200A/23	2980	4010	750	1.44

When ordering 520 and 528 Borderlights, specify the following:

- 1) The number of circuits. (No more than 2400 watts total may be connected to a circuit).
- 2) Custom wiring schemes if desired.
- 3) The total length of the borderlight. Any length available in the following increments:

520: 4 1/2" increments. 528: 6" increments

- 4) The hardware: 508 Hanging Arms with Pipe Clamps are standard equipment. FT Floor Trunnions may be substituted. Hanging chain is provided for units over 10 feet in length.
- 5) The quantity of each roundel part number desired. One roundel is provided for each reflector in unit.

Standard 520 and 528 borderlights are as follows:

520	528
6', 4 circuit, 16 lamp	6', 3 or 4 circuit, 12 lamp
5', 7 1/2", 3 circuit, 15 lamp	7', 6", 3 circuit, 15 lamp
9', 3 or 4 circuit, 24 lamp	8', 4 circuit, 16 lamp

