

with flush connectors and
300-HI Single-Pipe Hanging Irons

with pigtails
and 300-DHI
Single-Pipe
Hanging Irons



Fixture Type:

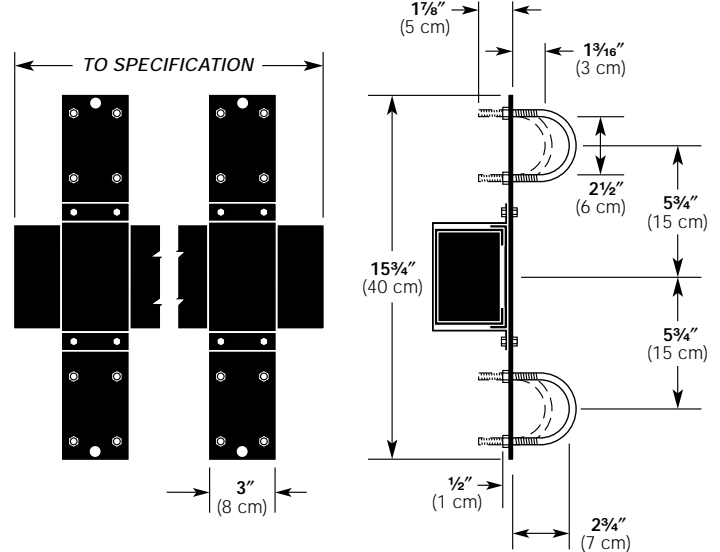
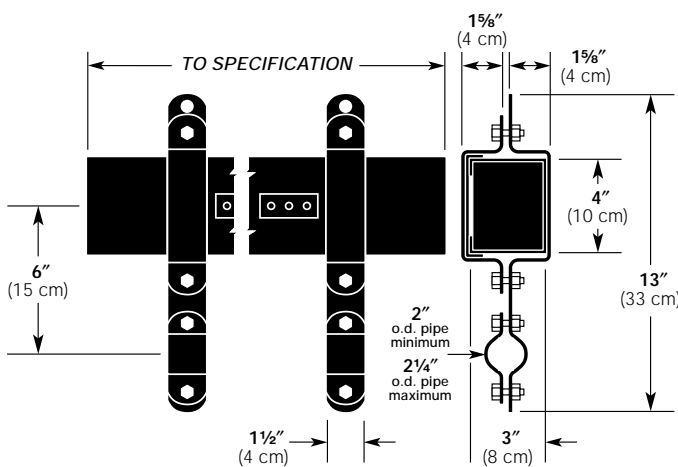
The 300 Connector Strip is custom-built to your specifications to distribute permanent lighting circuits throughout an installation and can be mounted vertically or horizontally; dead-hung or hung from moveable rigging; and supplied with flush and/or pigtail connectors, as desired. The 300 is suitable for installation in theatres, television studios, or anywhere a system of permanent distribution terminating in connections for portable luminaires is desired, and due to its aluminum construction, can be installed when a more corrosion-resistant connector strip is needed.

Specifications subject to change without notice.

EXTRUDED ALUMINUM CONNECTOR STRIP

Features

- Sturdy, lightweight 3/32" extruded aluminum enclosure
- End caps provided with knockouts
- Mounting hardware included
- Single or double pipe hanging irons available
- Available in custom lengths and circuitry
- Available with receptacles of almost any type, style, rating, or NEMA designation
- Pigtailed, when provided, are type SO and 18" standard length
- Barrier-type terminal strips provided for fast, neat connections
- Junction box, when provided, made of 18-gauge steel and secured via insulated bushings
- High-visibility circuit numbering
- Internal wiring rated for 125° C minimum
- Black enamel finish
- U.L.- and c.U.L.-listed



ACCESSORIES SUPPLIED WITH LUMINAIRE	
300-HI	Single-Pipe Hanging Irons (one pair, plus one additional provided per every 5' in length over 10')
300-DHI	Double-Pipe Hanging Irons (may be substituted for 300-HI)

CONNECTOR STRIP LAYOUT													
item	quantity	wire-way length (2" increments)	MAIN CONNECTOR TYPE				SECONDARY CONNECTOR TYPE (if necessary)				total no. of circuits	feed	
			pigtail length; or "F" for flush receptacle	no.	outlets/connectors type**	capacity	no. of circuits	pigtail length; or "F" for flush receptacle	no.	outlets/connectors type**			capacity
1													<input type="checkbox"/> left <input type="checkbox"/> right
2													<input type="checkbox"/> left <input type="checkbox"/> right
3													<input type="checkbox"/> left <input type="checkbox"/> right
4													<input type="checkbox"/> left <input type="checkbox"/> right

* 18" length standard. Other lengths available upon request.

** Use Altman connector catalog numbers or specify type, style, NEMA number, manufacturer, etc.

LEFT AUDIENCE OR CAMERA RIGHT

1

2

3

4

ADDITIONAL NOTES _____

COMPLETING THIS ORDER FORM

- | | | |
|---|--|--|
| <p>1) Indicate location and circuiting of pigtails/ flush connectors on above layout. Use more than one sheet if necessary.</p> <p>2) Connectors may be spaced in 6" minimum increments only. Where mechanical splice must occur, connector location will be moved a maximum of 6".</p> | <p>3) Junction box size, if one is required, to be determined by number of circuits.</p> <p>4) Wire-way size may increase if number of circuits dictates increase.</p> <p>5) Indicate capacity on drawing if different than 20 amps.</p> | <p>6) Exterior finish is flat black.</p> <p>7) Connectors will be spaced evenly unless otherwise noted.</p> <p>8) Specify hardware: 300-HI Single-Pipe Hanging Irons or 300-DHI Double-Pipe Hanging Irons.</p> |
|---|--|--|