



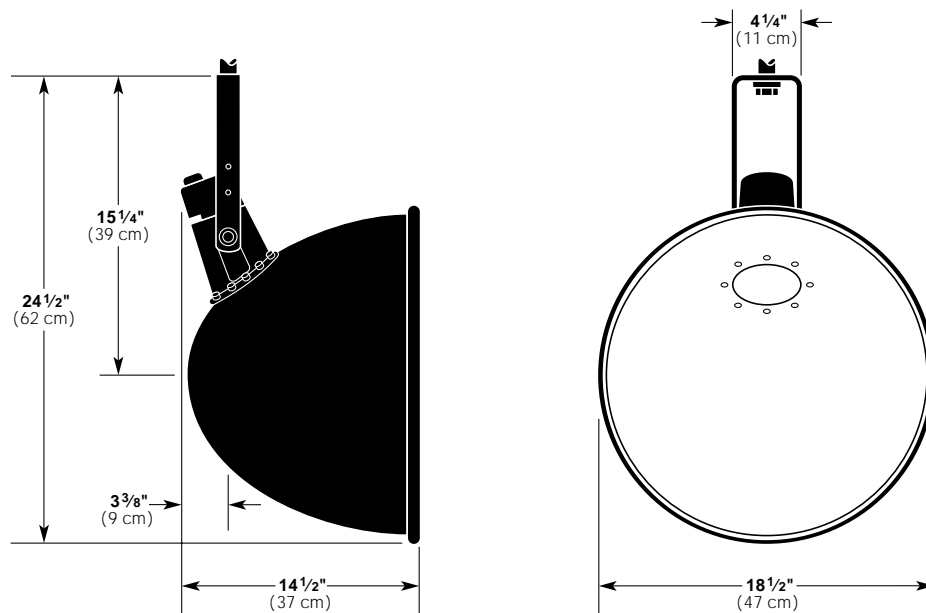
Fixture Type:

A lightweight multi-purpose elliptical reflector floodlight. The 155 scoop produces a very diffuse, soft-edged beam of 20 feet in diameter at a distance of 7.5 feet. The 155 is designed to operate both standard incandescent and high color temperature tungsten halogen lamps. The luminaire is used in theatre and television as both a flood light and a cyclorama fixture. Other uses include photographic and television remote fill light. The scoop is an ideal fixture for color blending and for creating smooth even washes of light.

Specifications subject to change without notice

1500 WATT
 18" SCOOP 155
 Features

- Heavy spun aluminum construction
- Etched matte aluminum reflector
- Mogul screw base socket
- Circular color frame available
- Three 36" Teflon lead wires
- Up to 25 feet Hi-Temp rubber cable optional
- U.L. and c.U.L. listed for 1000 watts
- Made in the USA



Specifications

Housing: Spun steel construction.

Materials: Construction employs all corrosion-resistant materials and hardware.

Yoke: Rigid flat steel.

Reflector: Etched aluminum, matte finish, elliptical design.

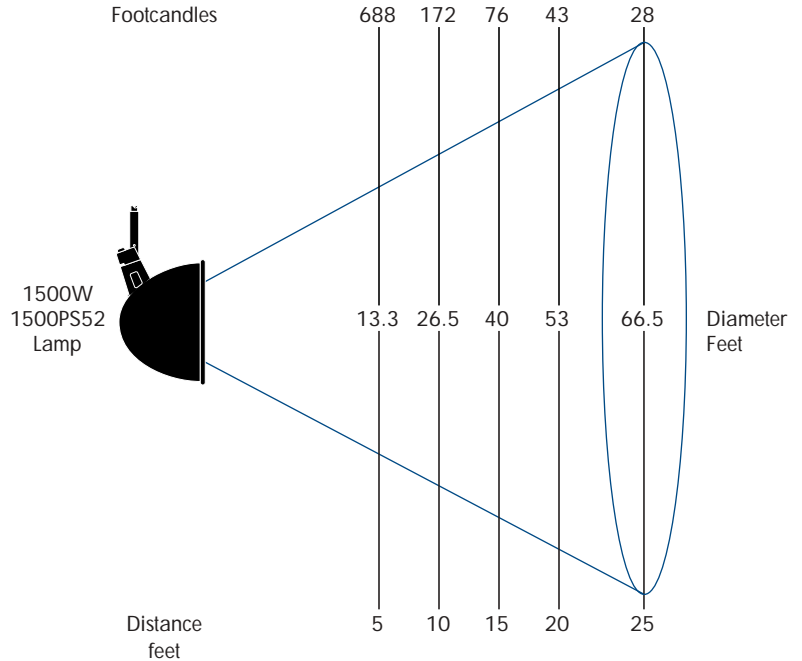
Socket: Recessed single contact, two provided. Tool free relamping.

Rating: 120/240 volts AC/DC operation 8.3/4.2 amps, 1000 watts maximum.

Cable: 36" Teflon leads encased in black fiberglass sleeving.

Finish: Baked black enamel.

Weight: Approx; 8 lbs. (3.6 kg.)



ADDITIONAL ACCESSORIES	
155-CF	Color Frame, 19" Diameter
510	Malleable Iron Pipe Clamp
SC	Safety Cable with Spring Clip

155 SCOOP PERFORMANCE CHART WITH 1500 PS52 LAMP

Candlepower (Candela)	Beam Angle (Degrees)	Field Angle (Degrees)	Efficiency (%)
17,200	60°	106°	70

LAMP DATA

Watts	ANSI Code	Manufacturer Lamp Code	Color Temp (°K)	Rated Life (Hours)	Rated Lumens	Correction Factor
500		500 or 500IF	3050	1000	10,600	.31
750		750 or 750IF	3500	1000	17,040	.50
1000		1000 or 1000IF	3100	1000	23,740	.70
1000	DSE		3200	750	27,000	.79
1000	DKZ	Q1000 PS52/4	3200	750	28,000	.82
1500		1500 PS52	3050	1000	34,000	1.00
1500	DKX/DSF	Q1500 PS52/4	3200	1000	41,000	1.21